


RU

GB

INSTALLATION MANUAL
SKID PLATE FOR ENGINE BAY



HAVAL H5 2,0 MT 4 WD

2020- 

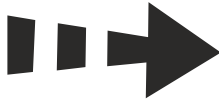
28.4624/28.4625

18/12/20

1/6



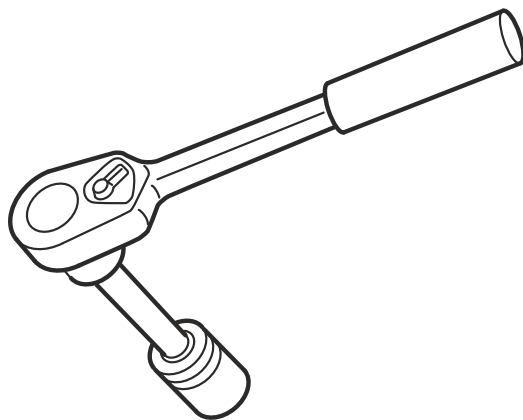
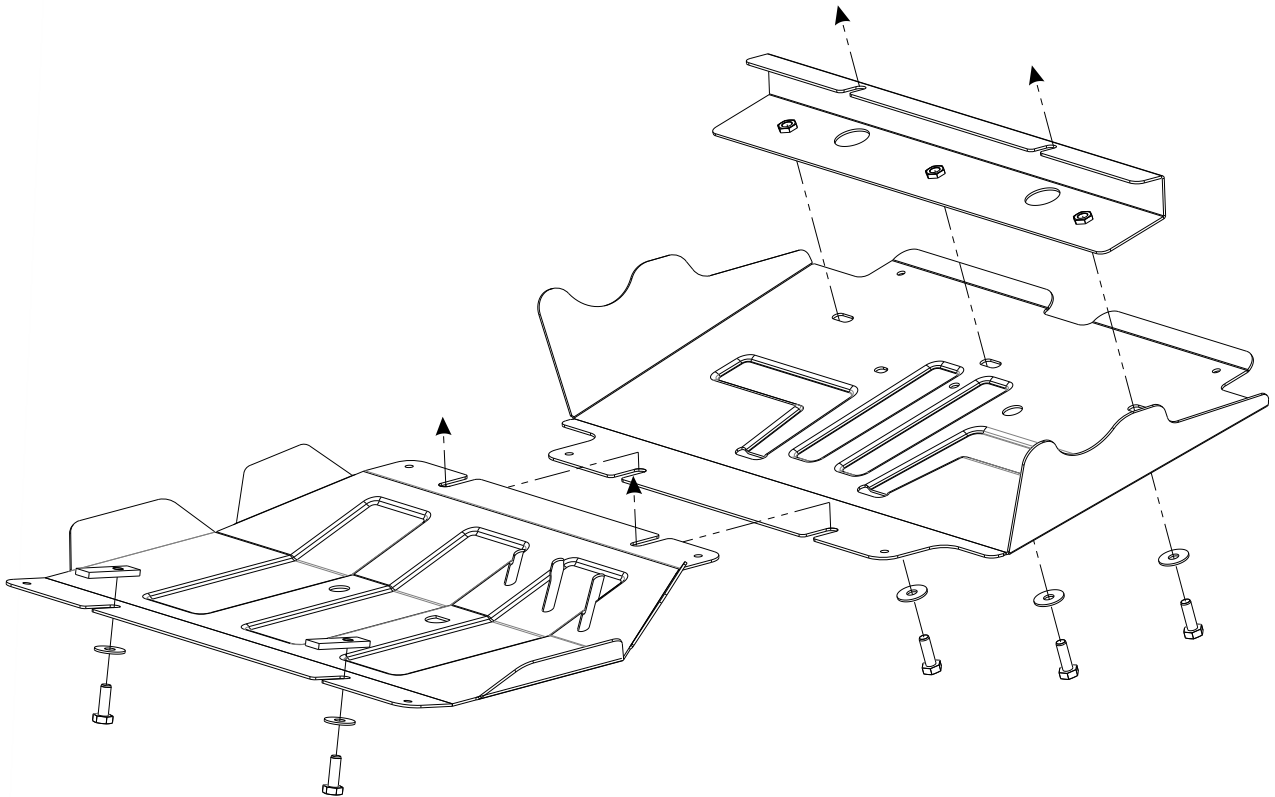
(RU) /
(GB) Location/Position Arrow



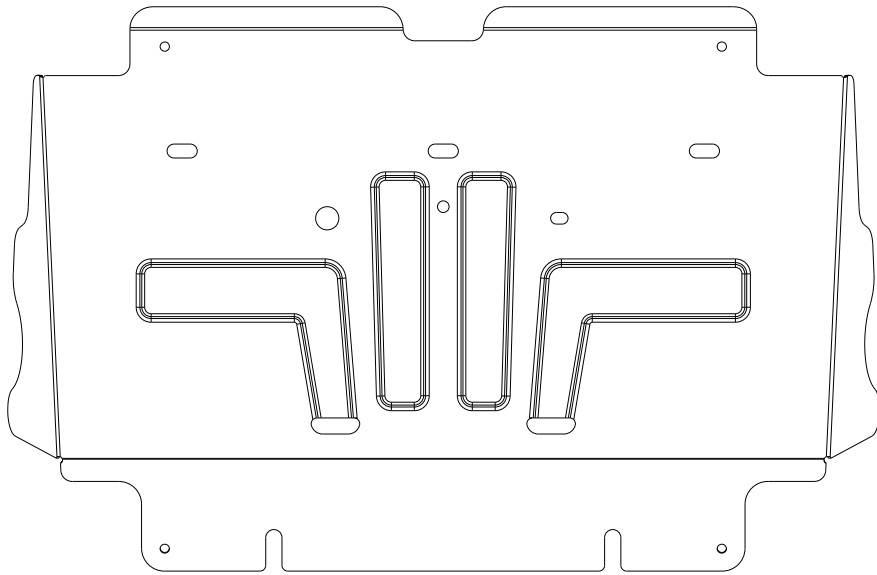
(RU)
(GB) Movement Arrow



(RU)
(GB) Screw Arrow

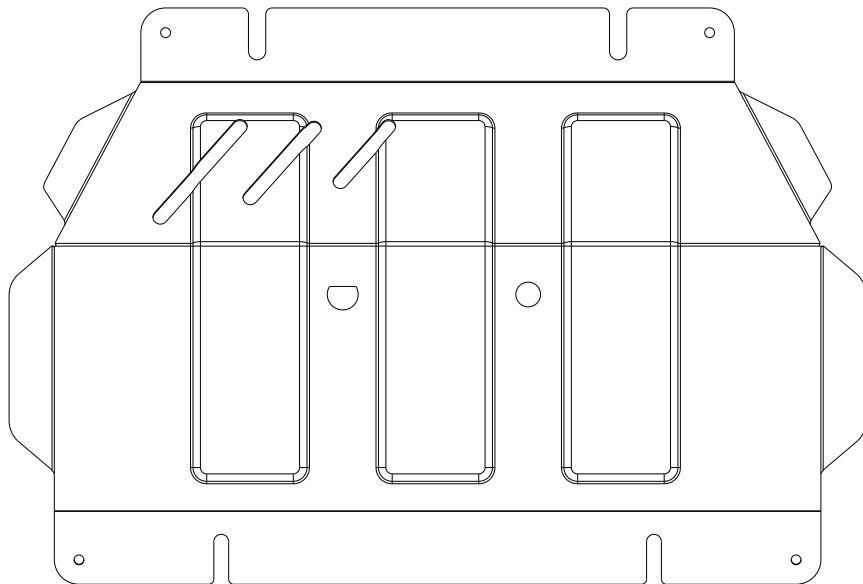


A1



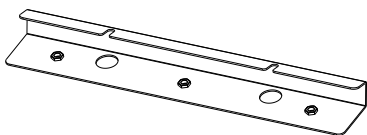
1X

A2



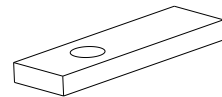
1X

B



1X

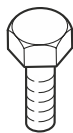
C



3003

2X

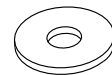
D



M10 30

5X

E



∅8

5X



28.4624/28.4625

18/12/20

3/6

