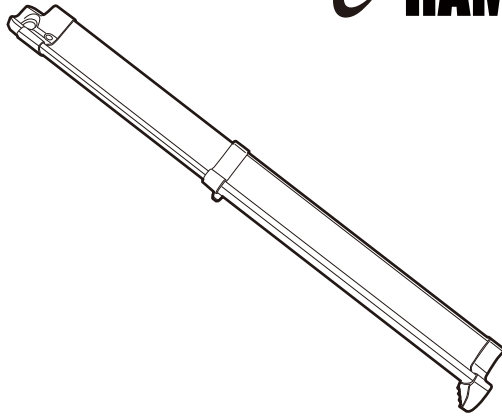


# BUZZ RACK

## e-RAMP-KB08

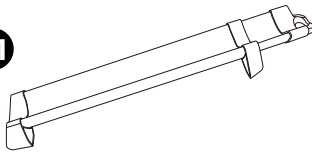


+

+

### PART LIST

x1



x1

