

# Installation instructions for PZ4AL-005050-00

## Lexus RX 300, RX 350, RX 400h

Under run protective shield engine bay and transmission case

### Lexus RX 300



### Lexus RX 350



### Lexus RX 400h



#### Lexus RX 300

#### Lexus RX 350

#### Lexus RX 400h

Model Year:

2003-2006

2008-2009

2008-

Vehicle Code:

MCU35L-AWAGKW

GGL15L-AWTGKW

MHU38L-AWXGKW

Part Number:

PZ4AL-005050-00

PZ4AL-005050-00

PZ4AL-005050-00



Weight:

9,4 kg

9,4 kg

9,4 kg

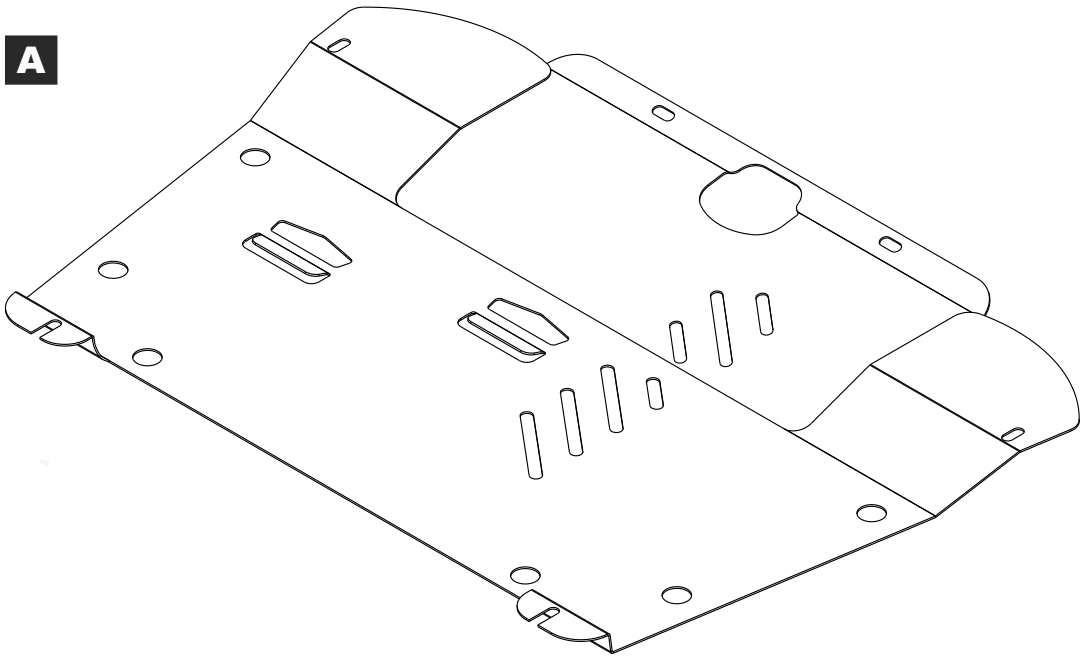


Installation Time:

15-30 min

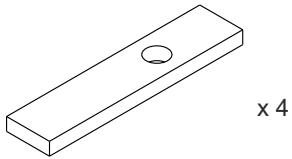
15-30 min

15-30 min

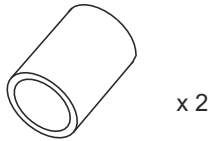


PZ4AL-005050-60

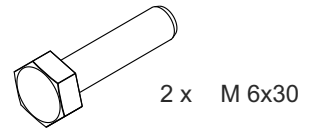
**B**



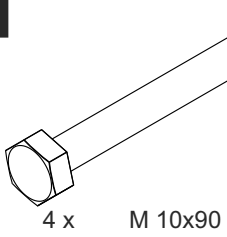
**C**



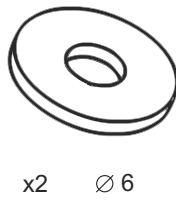
**D**



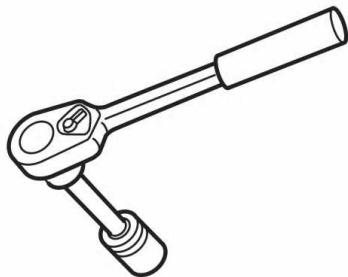
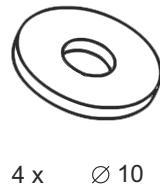
**E**



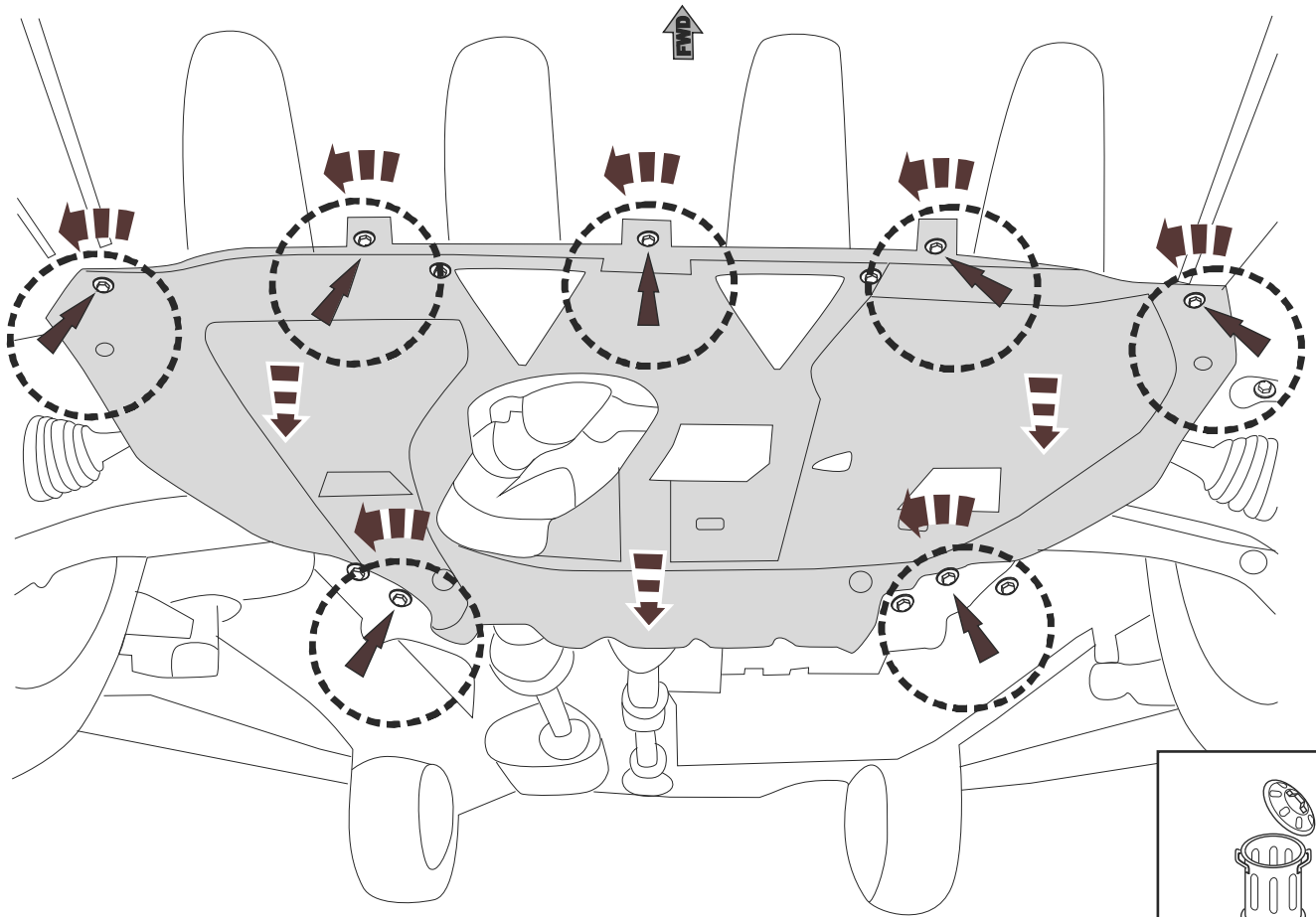
**F**



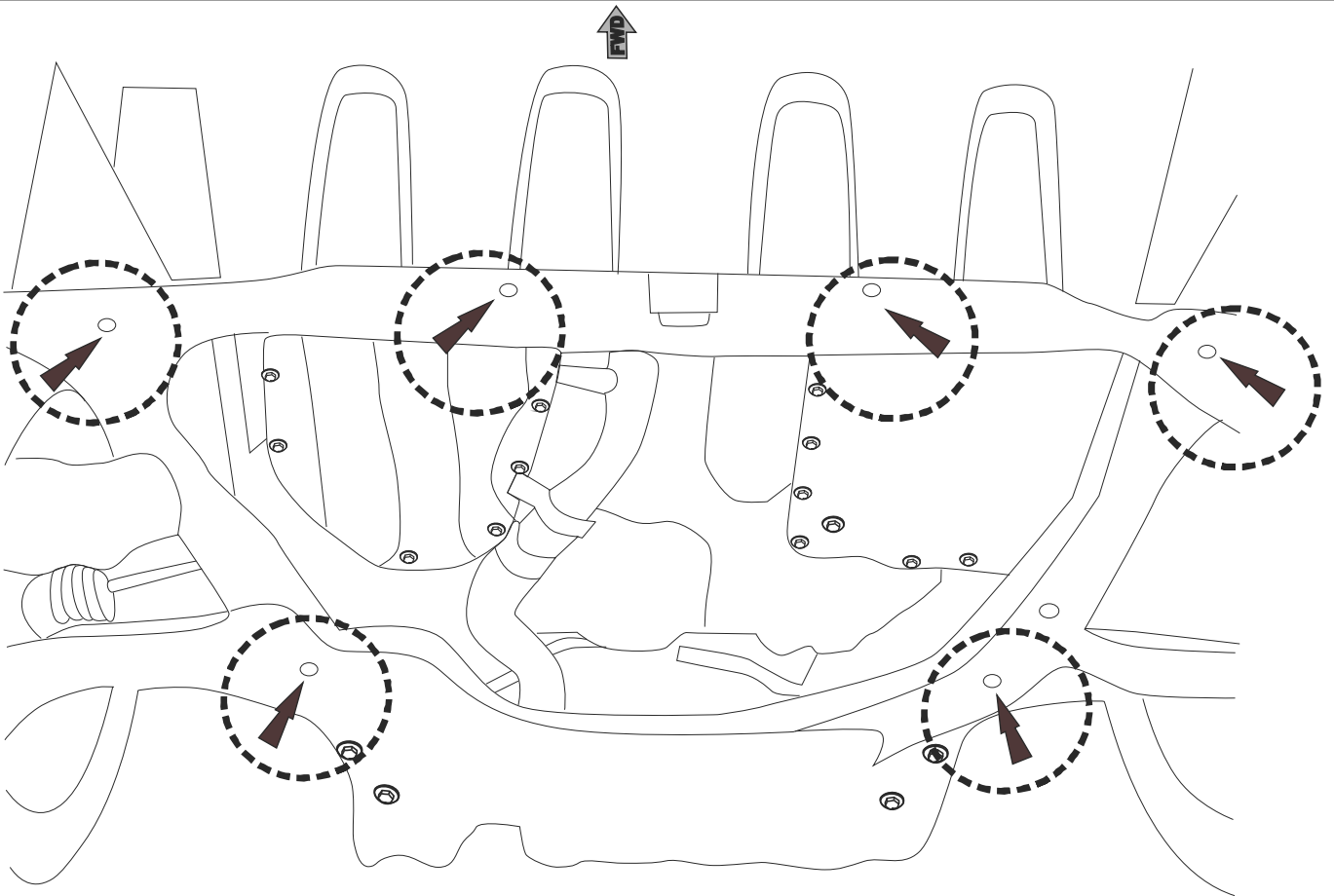
**G**



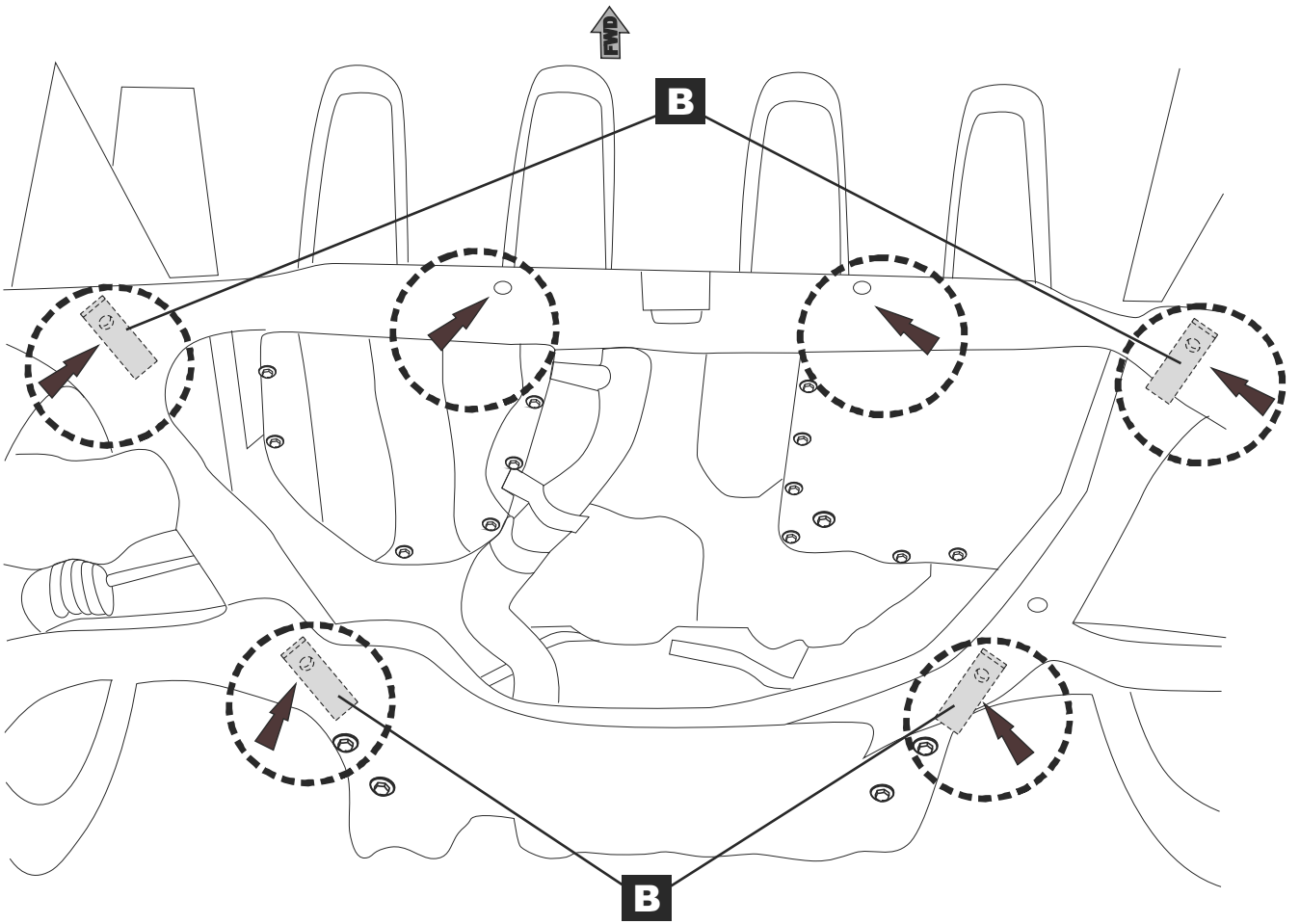
1



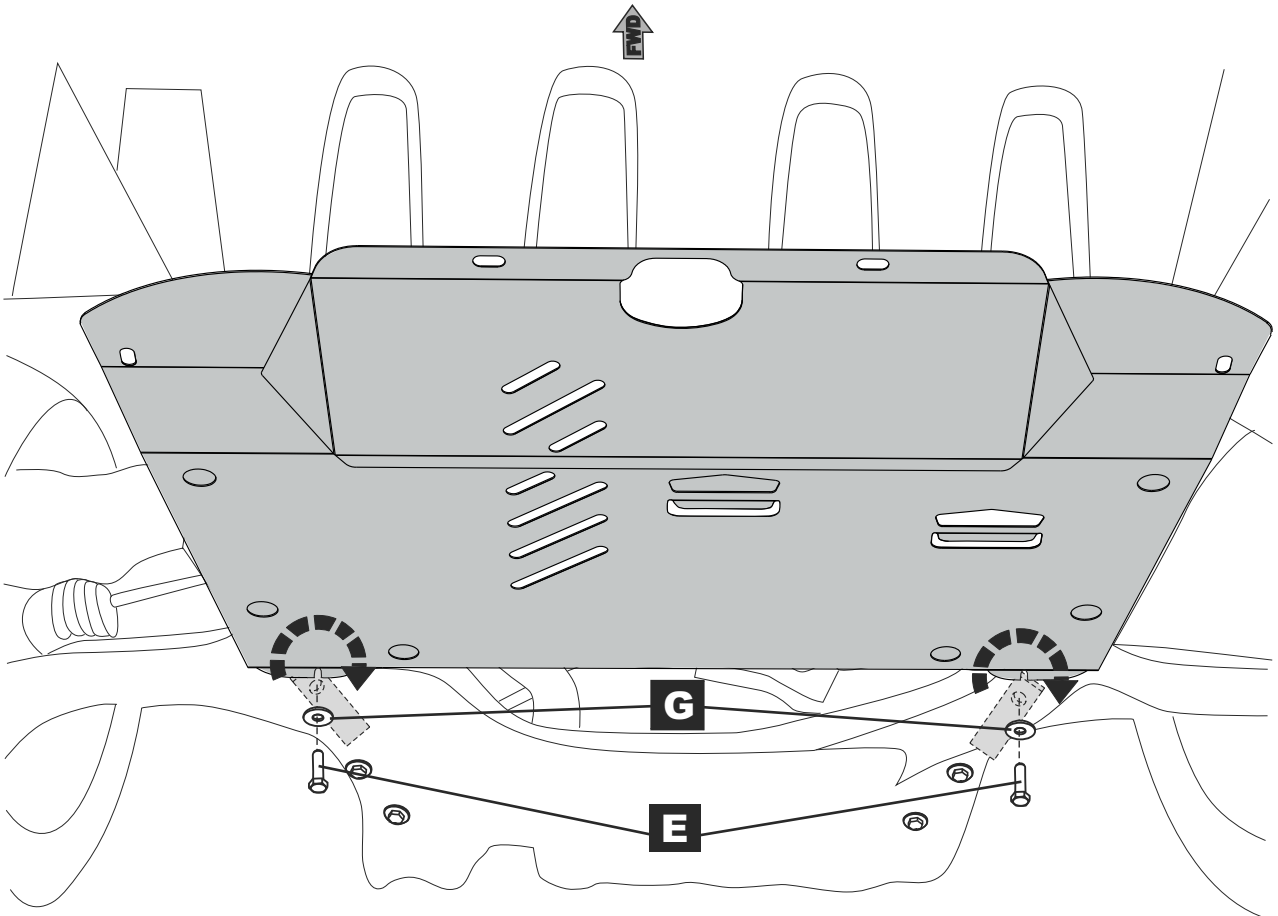
2



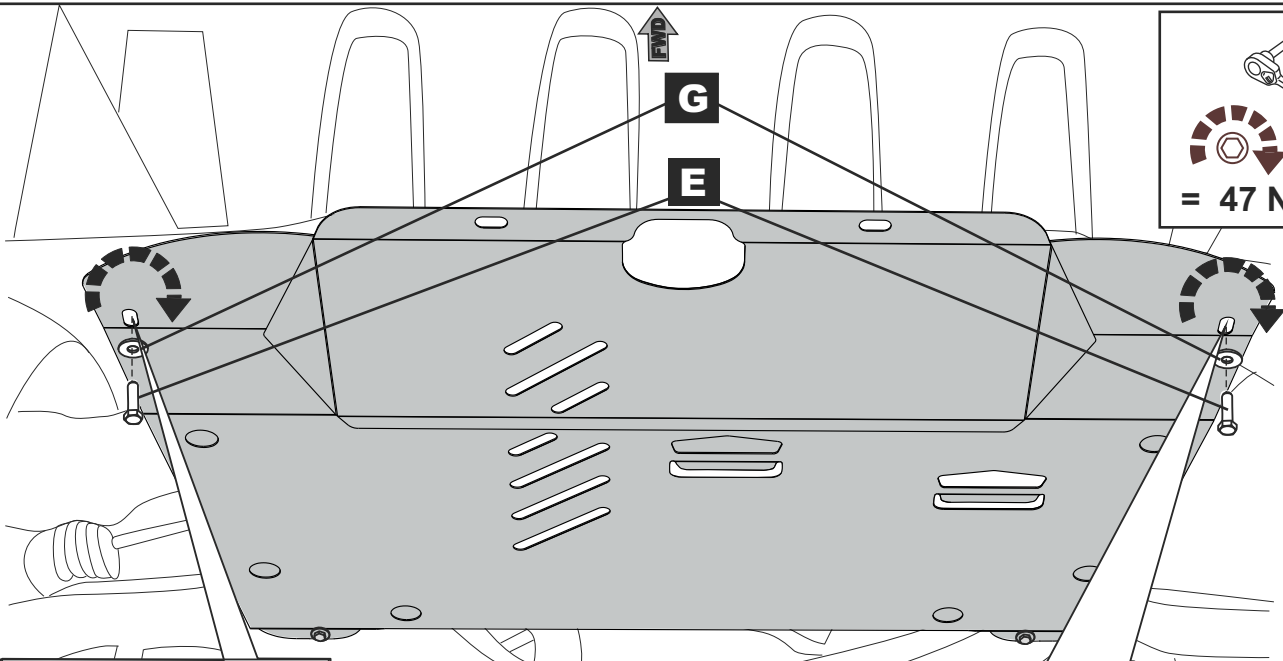
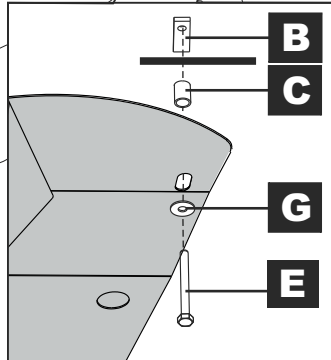
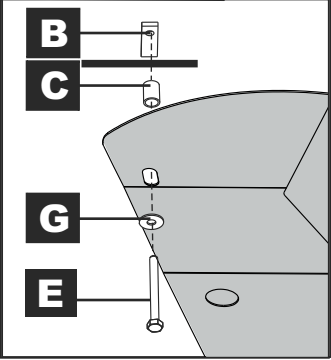
3



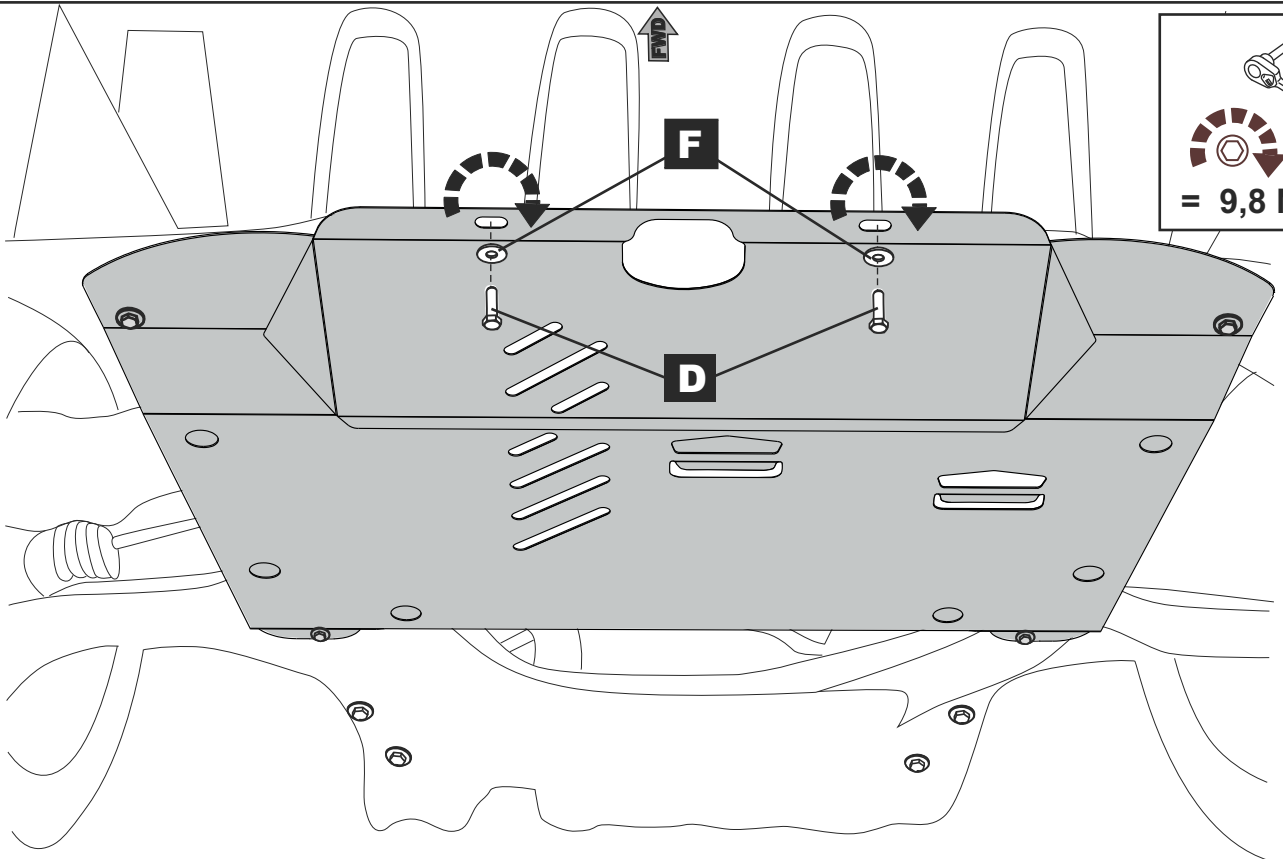
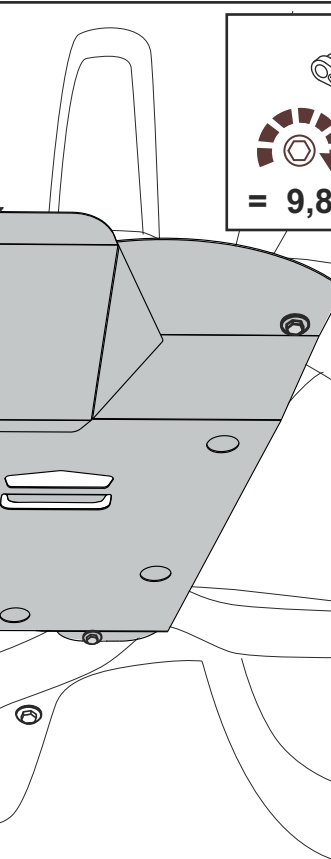
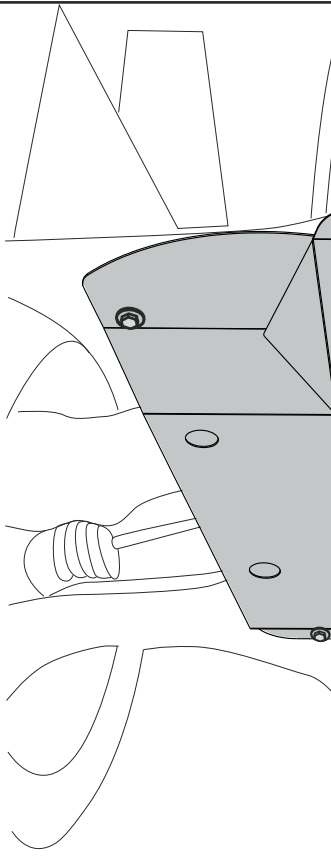
4



**5**

**6**

7

