



# Installation Instructions

PART NUMBERS: 76104, 84104, CQT76104

## Applications:

Years	Make	Models
2007-Current*	Jeep	Wrangler

## Installation Time: 20 min

The time listed above is the average time for professional installers. If you do not feel comfortable performing this installation on your own or are in need of assistance, please contact a professional installer.



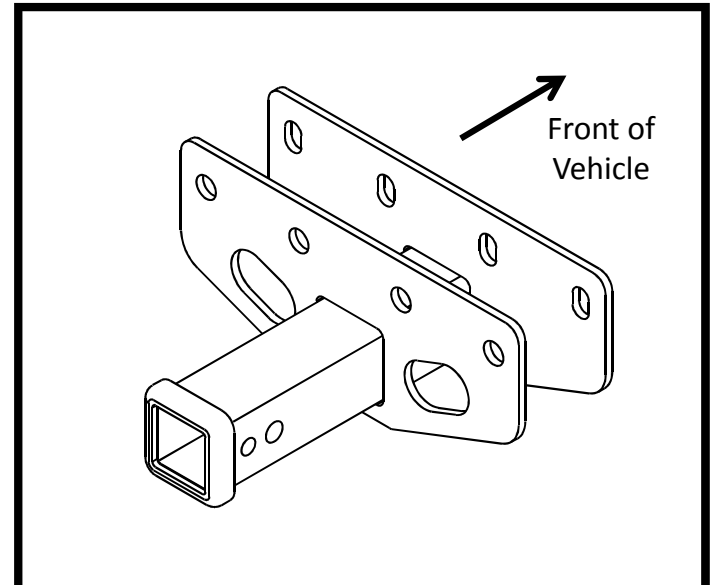
Representative Vehicle Photo

## Equipment Required:

Safety Glasses	Torque Wrench	Exhaust Removal Pliers
Ratchet	3/4" 18mm Sockets	3/4" Open end wrench

**DO NOT EXCEED LOWER OF TOWING VEHICLE MANUFACTURER'S RATING OR:**

Hitch Type	Max Gross Trailer Weight	Max Tongue Weight
Weight Carrying	4500 lb. (2043 kg)	675 lb. (306 kg)
Weight Distributing	4500 lb. (2043 kg)	675 lb. (306 kg)






Hitch Illustration

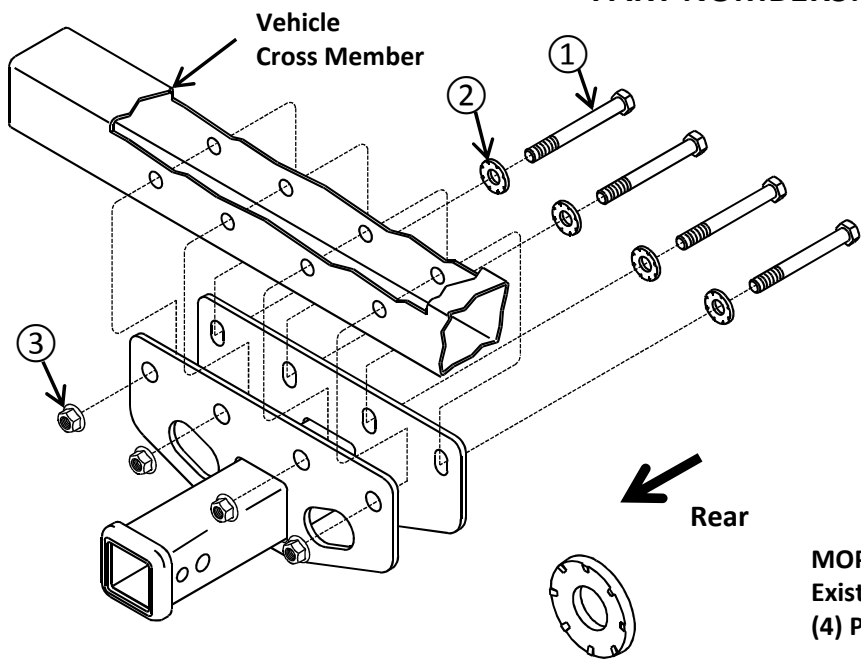
**Always wear SAFETY GLASSES when installing hitch**

# Installation Instructions

**PART NUMBERS: 76104, 84104, CQT76104**

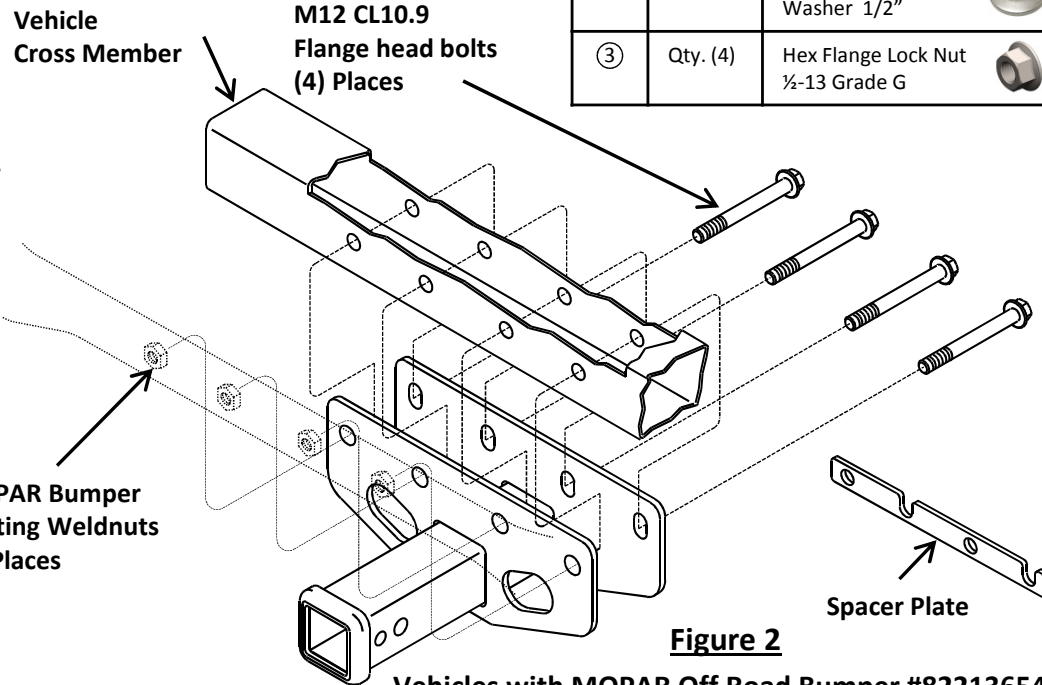
**Fastener Kit: 76104F**

①	Qty. (4)	Bolt ½-13 x 4.50 Lg. Gr5	
②	Qty. (4)	Conical Toothed Washer 1/2"	
③	Qty. (4)	Hex Flange Lock Nut ½-13 Grade G	



**Figure 1**

**Standard installation**




**Figure 2**


**Vehicles with MOPAR Off Road Bumper #82213654**

**For vehicles with OEM Tow Hook: Tow hook must be permanently removed for hitch installation.**

## **Standard installation:**

1. **Lower muffler** – If required.
2. **Raise hitch into position** – raise hitch onto the vehicle cross member and align holes in hitch with existing holes in cross member.
3. **Install fasteners** - Install (4) ½-13 x 4.50 long bolts, conical toothed washers, and Hex Flange Lock Nuts as shown in figure 1.
4. **Tighten all ½-13 GR5 fasteners with torque wrench to 75Lb.-Ft. (102N\*M)**  **Proper torque is needed to keep the hitch secure to the vehicle when towing.**
5. **Raise muffler** – If lowered in step 1.

## **Mopar off road bumper installation:**

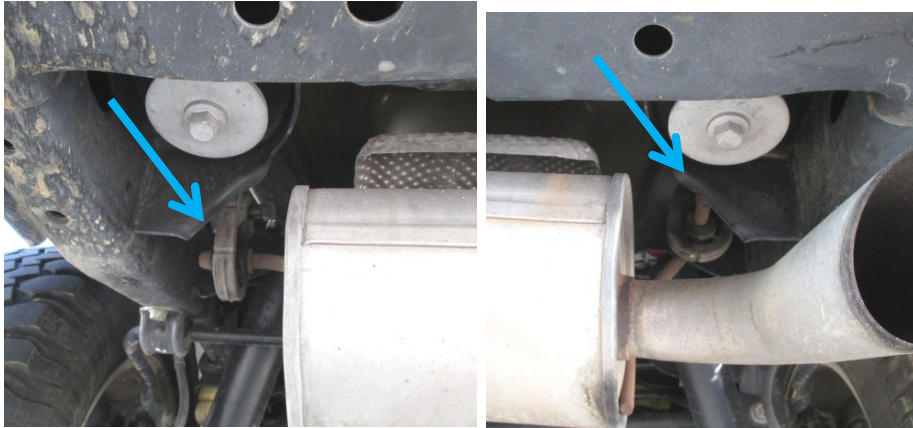
1. **Lower muffler** – If required.
2. **Remove factory bolts and spacer plate** – remove (4) M12 flange head bolts from forward side of vehicle cross member. Remove the spacer plate located between the vehicle cross member and the Mopar bumper. Return spacer plate to vehicle owner.
3. **Raise hitch into position** – raise hitch onto the vehicle cross member and align holes in hitch with existing holes in cross member.
4. **Install fasteners** – reinstall (4) factory M12 flange head bolts through hitch and cross member and into existing weldnuts in Mopar bumper.
5. **Tighten all M12 CL10.9 fasteners with torque wrench to 75Lb.-Ft. (102N\*M)**  **Proper torque is needed to keep the hitch secure to the vehicle when towing.**
6. **Raise muffler** – If lowered in step 1.

Note: check hitch frequently, making sure all fasteners and ball are properly tightened. If hitch is removed, plug all holes in trunk pan or other body panels to prevent entry of water and exhaust fumes. A hitch or ball which has been damaged should be removed and replaced. Observe safety precautions when working beneath a vehicle and wear eye protection. Do not cut access or attachment holes with a torch.

This product complies with safety specifications and requirements for connecting devices and towing systems of the state of New York, V.E.S.C. Regulation V-5 and SAE J684.

**Standard installation:**

1. Lower muffler – If required.



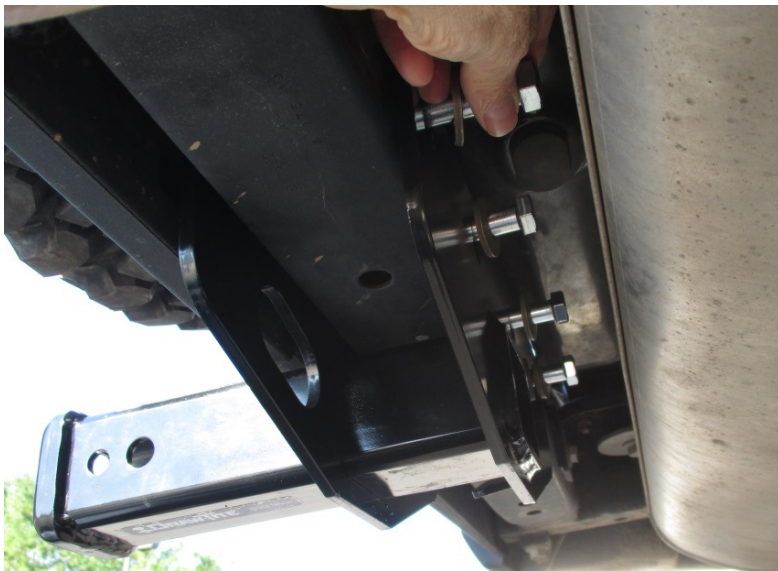
**Standard installation:**

2. Raise hitch into position – raise hitch onto the vehicle cross member and align holes in hitch with existing holes in cross member.



**Standard installation:**

3. Install fasteners - Install (4) 1/2-13 x 4.50 long bolts, conical toothed washers, and Hex Flange Lock Nuts as shown in figure 1.



**Standard installation:**

4. **Tighten all 1/2-13 GR5 fasteners with torque wrench to 75Lb.-Ft. (102N\*M)**

**⚠** Proper torque is needed to keep the hitch secure to the vehicle when towing.

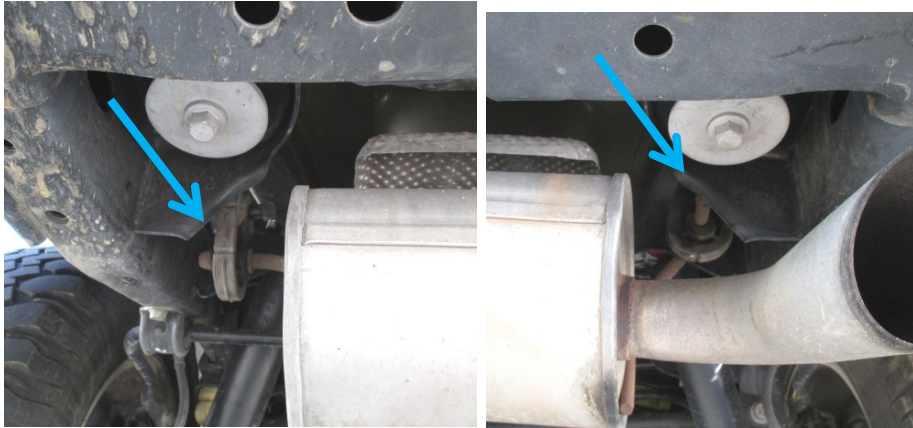
5. Raise muffler – If lowered in step 1.





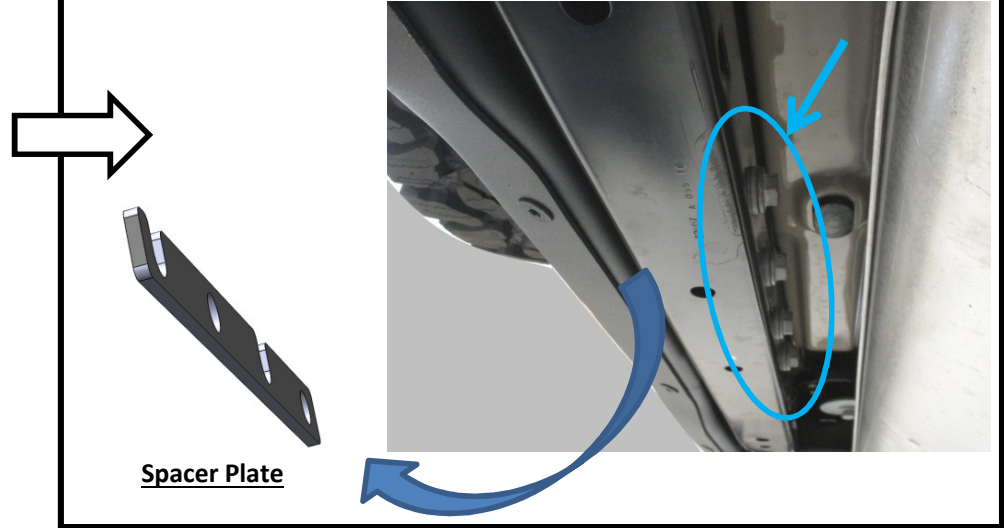
**Mopar off road bumper installation:**

1. Lower muffler – If required.



**Mopar off road bumper installation:**

2. Remove factory bolts and spacer plate – remove (4) M12 flange head bolts from forward side of vehicle cross member. Remove the spacer plate located between the vehicle cross member and the Mopar bumper. Return spacer plate to vehicle owner.



Spacer Plate

**Mopar off road bumper installation:**

3. Raise hitch into position – raise hitch onto the vehicle cross member and align holes in hitch with existing holes in cross member.



**Mopar off road bumper installation:**

4. Install fasteners – reinstall (4) factory M12 flange head bolts through hitch and cross member and into existing weldnuts in Mopar bumper.



**Mopar off road bumper installation:**

5. **Tighten all M12 CL10.9 fasteners with torque wrench to 75Lb.-Ft. (102N\*M)**

**⚠** Proper torque is needed to keep the hitch secure to the vehicle when towing.



**Mopar off road bumper installation:**

6. **Raise muffler – If lowered in step 1.**

